

Data sheet

Data logger LogBox AA

Article: 0568 0034 and 0568 0033

1. features

The LogBox AA is a compact handy data logger with two universal input channels which accept many industrial analogue sensors. The case housing and the two input connections for the sensors fulfill depending on the model either IP67 or IP65 protection requirements. The collected data are saved locally in the internal electronic memory. From there they can be easily downloaded to a PC via the IrLink 3 infrared interface or directly transferred to a PalmOS PDA. The visualization of the measured data or their processing can be effected in graphical or sheet format through the user friendly Software Logchart II.

2. Application

The applications possibilities of the LogBox AA data logger are manifold. These loggers are used especially in the industrial domains, where the ambient conditions are very rough. It can be used for the recording of many physical quantities such as temperature, humidity, pressure, viscosity... which are crucial for the different industrial processes. Quality control, monitoring of processes, transport and stockage of sensible goods, in warehouses or in buildings, these are some of the domains where this logger can be used.

4. Description

LogBox AA is a compact water proof data logger. Its two universal input channels accept beside the standard temperature sensors such as thermocouples and resistance temperature sensors (RTD) of all types also all industrial analogue sensing devices which give linearized voltage (0...50 mV; 0...10V) or current (0...20 mA) signals. Depending on the model the logger fulfill the requirement of the protection classes IP67 or IP65. It can be easily programmed and configured through the IrLink 3 infrared interface. Every PC system or laptop with a free USB interface can be used for this purpose. The configuration of the logger can be also effected directly from every PDA that runs a Palm OS. The user friendly software LogChart II is used not only for the configuration of the LogBox but also for an easy data transfer to the PC, data visualization in graphical or sheet format, chronological analysis of the memorized values and data export spreadsheets. The logger needs just a convenient 1/2AA battery as power supply. It can operate continuously for more than one year before a battery change becomes necessary. The high digital resolution (14 Bits ADC) and the memory capacity of 32 000 values makes from this device the ideal monitoring and control device for temperature, humidity, pressure and many other physical quantities under rough ambient conditions.

The use of the LogBox needs necessarily either the IrLink 3 infrared interface with a USB or RS232 free port on a PC that runs the LogChart II software or a PalmOS PDA which runs the LogPalm software.

3. Figure



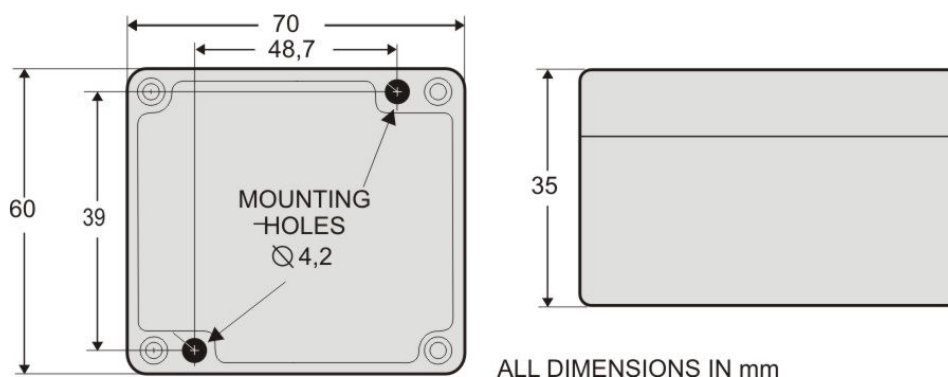
4.1. Order information

Article No	Description
0568 0034	Data logger LogBox AA IP67. Memory capacity 32 000 values. Operating temperature: -40°C ...80 °C, Inputs: All types of Thermocouples, Pt100, 0...50 mV, 4...20 mA, 0...10 V
0568 0033	Data logger LogBox AA IP65. Memory capacity 32 000 values. Operating temperature: -40°C ...80 °C, Inputs: All types of Thermocouples, Pt100, 0...50 mV, 4...20 mA, 0...10 V
0568 0036	IrLink 3 Infrared communication interface with USB connection and LogChart II Software. To use with the loggers TagTemp, LogBox AA IP67 / 65 and LogBox RHT

5. Technical data

features	Values
Eingänge	Thermocouples J; K; N; R; S; T Pt100 4 – 20 mA; 0 – 50 mV; 0 – 10 V
Input impedance	0-50mV, Pt100 and thermocouples: >10MΩ 0-10V: > 1MΩ 4 to 20mA: 100Ω
Measuring ranges	J -50 to 760 °C (-58 to 1400°F) K -50 to 760 °C (-58 to 1400°F) N -100 to 400 °C (-148 to 752°F) T -90 to 1300 °C (-130 to 2372°F) R 0 to 1760 °C (32 to 3200°F) S 0 to 1760 °C (32 to 3200°F) Pt100 -200.0 to 530.0 °C (-328 to 986°F) 0 – 20 mA Linear. Programmable range of -32768 to 32767 0 – 50 mV Linear. Programmable range of -32768 to 32767 0 – 10 V Linear. Programmable range of -32768 to 32767
Accuracy	Thermocouples J, K and T: .25% of the max. range ±1°C; Thermocouples N, R, and S: 0.25% of the max. range ±3,7°C Pt100: 0.2% of the max. range; 4-20mA, 0-50mV and 0-10V: 0.2% of the max. range
Memory capacity	32000 (32k)
Measurement intervals	Minimum: 10 Sekunden, maximum: 18 Stunden
Power supply	3.6 V lithium battery (1/ 2 AA)
Battery life time	1 year @ one Download per day and 5 min. Interval
Operating temperature	-40°C to 80°C
Housing case	Polycarbonate
Protection class	IP 67 or IP65
Dimensions	60 x 70 x 35 mm

Logger-PC data transfer	Depends on the number of values 40 Sekunden für 16,000 logs.
PC interface	Ir/USB or Ir/Serial
LogChart-II software Umgebung	Set up Software for Windows 95, 98, NT, 2000 und XP. Menus in Portuguese, English or Spanish. Graphical and tables data visualization.



The technical information given in this documentation has been verified and controlled carefully. They are thought to inform the user about the product and its applications possibilities. The data given here have not to be taken as an insurance of some properties. They have to be carefully investigated through the user relatively to the intended application.