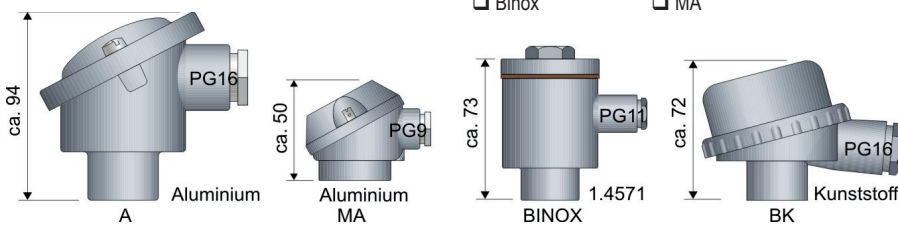
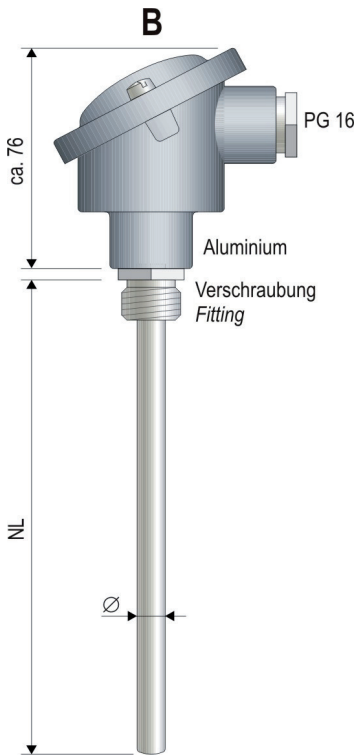


Fragebogen Temperatursonden mit Anschlusskopf

Questionnaire for Temperature Probes with connection head

Fragebogen Elektrische Temperaturaufnehmer mit Anschlusskopf *Questionnaire for Temperature probes with connection head*



1. **Messtemperatur** *Measuring Temperature*
_____ °C

2. **Einsatzbereich / Messmedium**
Application Conditions / Measuring Medium

3. **Sensorart** *Sensor type*

3.1 **Widerstandsthermometer** *Resistance Thermometer*

- | | |
|--|------------------------------|
| <input type="checkbox"/> 1 x Pt100 | DIN IEC |
| <input type="checkbox"/> 2 x Pt100 | Genauigkeit Accuracy |
| <input type="checkbox"/> 2-Leiter 2-wire | <input type="checkbox"/> A |
| <input type="checkbox"/> 3-Leiter 3-wire | <input type="checkbox"/> B |
| <input type="checkbox"/> 4-Leiter 4-wire | <input type="checkbox"/> 1/3 |

3.2 **Thermoelement** *Thermocouple*

- | | |
|--|----------------------------|
| <input type="checkbox"/> 1 x TE TC | DIN IEC |
| <input type="checkbox"/> 2 x TE TC | Genauigkeit Accuracy |
| Typ type | <input type="checkbox"/> 1 |
| <input type="checkbox"/> K <input type="checkbox"/> J <input type="checkbox"/> L | <input type="checkbox"/> 2 |
| <input type="checkbox"/> N <input type="checkbox"/> R <input type="checkbox"/> S | <input type="checkbox"/> 3 |

3.3 **Andere Sensoren** *Other Sensors* _____
Genauigkeit Accuracy _____

4. **Nennlänge [mm] = NL** *Nominal Length [mm] = NL*
 Ø 4 Ø 6 Ø 8 Ø 10 Ø 12

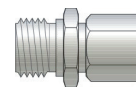
5. **Anschlusskopf** *Connection Head*

- | | | |
|--------------------------------|-----------------------------|-----------------------------|
| <input type="checkbox"/> A | <input type="checkbox"/> B | <input type="checkbox"/> BK |
| <input type="checkbox"/> Binox | <input type="checkbox"/> MA | |

6. ohne Verschraubung *without fitting*
 mit Verschraubung *with thread*
 M 10x1
 G 1/4"
 G 1/2"

7. **Schutzrohrwerkstoff** *Material of Protection Tube*

- | | |
|---|---|
| <input type="checkbox"/> 1.4571 | <input type="checkbox"/> Edelstahl <i>stainless steel</i> |
| <input type="checkbox"/> Messing <i>brass</i> | <input type="checkbox"/> Stahl <i>steel</i> |



8. **Klemmverschraubung** *Compression clamp*

- | | |
|---------------------------------|---|
| <input type="checkbox"/> M 8x1 | <input type="checkbox"/> 1.4571 |
| <input type="checkbox"/> M 10x1 | <input type="checkbox"/> Edelstahl <i>stainless steel</i> |
| <input type="checkbox"/> G 1/4" | <input type="checkbox"/> Messing vernickelt <i>brass nickeled</i> |
| <input type="checkbox"/> G 1/2" | |

Klemmring *Compression ring*

- | | |
|-------------------------------|---|
| <input type="checkbox"/> PTFE | <input type="checkbox"/> Edelstahl <i>stainless steel</i> |
|-------------------------------|---|

9. mit Halsrohr *with Collar tube*

- | |
|---|
| <input type="checkbox"/> ohne Halsrohr <i>without Collar tube</i> |
|---|

10. **Qualitätsprüfungen?** *Quality Tests?*

Machen Sie hier Ihre Ergänzungen!

Please advice here any complements!

- | | |
|---|--|
| <input type="checkbox"/> Standard <i>Standard</i> | <input type="checkbox"/> Druck? <i>Pressure?</i> |
|---|--|

Feuchte? *Humidity? (%rF)*

Zugkraft an der Leitung?

Intensity of draft at the cable? (kp)

Bekannte Probleme? *Known problems?*

11. **Menge** *Quantity* _____

Einfach ausfüllen und abschicken an Fax-Nr. +49 771 8316 50

Please fill in and send to Fax-No. +49 771 8316 50

Firma
Company

Tel.-Nr.
Phone No.

Name
Name

Fax Nr.
Fax No

Abteilung
Department

E-Mail
E-mail

Straße
Street

PLZ / Ort
Zip Code / City